



Beacon 4028
Radar 4028B







FLOATING DISC

Radar is designed with an imposing umbrella-shaped reflector that channels light downwards. It collimates light and creates perfect illumination for high ceiling environments. For lower ceiling applications, choose Beacon, Radar's little brother that comes without the reflector.

BEACON 4028

PROJECT PROJET

SPEC TYPE

NOTES

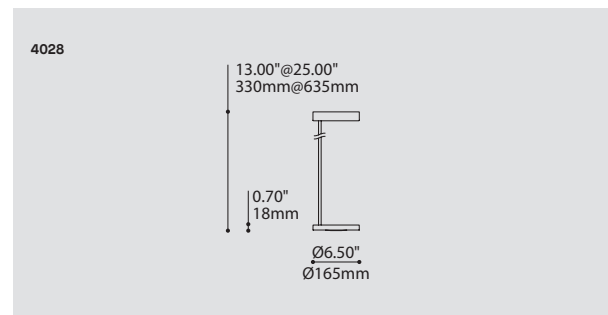


OPTIONS OPTIONS FAMILY FAMILLE



WHE

WHE



ORDERING SPECIFICATION SPÉCIFICATION DE COMMANDE CODE

MODEL MODÈLE 4028

4028 BEACON

LIGHT SOURCE SOURCE LUMINEUSE LED

(WATTAGE, LAMP TYPE, OTHER INFO)
LED REGULAR OUTPUT

COLOR TEMPERATURE TEMPÉRATURE DE COULEUR

30 3000K

35 3500K

40 4000K

VOLTAGE VOLTAGE

120V 120 VOLT

277V 277 VOLT

DIMMING OPTION OPTION DE GRADATION

DV 0-10V DIMMING (120-277V)

DP PHASE DIMMING (120V ONLY)

LED DIMMING DRIVER IS STANDARD IN THIS PRODUCT, PLEASE SPECIFY YOUR DIMMING TYPE.

STEM TIGE S10

S10 3/8" (10MM) STEM, NOT FIELD ADJUSTABLE

STEM LENGTH LONGUEUR DE TIGE

12 12" STEM

18 18" STEM

24 24" STEM

** CUSTOM STEM LENGTH (PLEASE SPECIFY)*

FOR OVERALL LENGTH PLEASE CONTACT YOUR EUREKA REPRESENTATIVE.

STRUCTURE FINISH FINI STRUCTURE

BLKE BLACK FINE TEXTURE

WHE WHITE FINE TEXTURE

PRODUCT CHARACTERISTICS CARACTÉRISTIQUES DU PRODUIT

BIM DIM IES LED

DESIGN: Beacon is designed with a powerful projector that creates a highly illuminated ceiling with indirect illumination, while its frosted glass center core creates a soft down light. Simplified installation featuring a hook on stem system, a keyhole locking mechanism and a magnetic canopy without any visible fasteners.

LIGHT SOURCE: A custom made LED engine with standard 0-10V or phase dimming.
STRUCTURE: Custom die cast aluminum heatsink with steel stem and canopy featuring a white or black architectural grade fine texture finish. Center in pressed glass with acid etched frosted finish. c-CSA-us

CERTIFIED: c-CSA-us

CONCEPTION: Beacon est composé d'un projecteur indirect haute puissance qui illumine intensément votre plafond, alors que la partie centrale en verre givré procure un éclairage doux vers le bas.

INSTALLATION: Installation simplifiée grâce au système de crochet sur tige, au verrouillage par « trou de serrure » et au pavillon magnétique sans aucune fixation visible.

SOURCE LUMINEUSE: Module DEL conçu sur mesure. Il est offert avec une gradation standard de type 0-10V ou phase.

STRUCTURE: Radiateur fabriqué sur mesure fait d'aluminium moulé, assemblé sur une tige et un pavillon en acier. Peinture blanche ou noire finement texturée de grade architectural. Partie centrale en verre pressé avec un fini givré dépoli à l'acide. c-CSA-us

CERTIFIÉ: c-CSA-us

RADAR 4028B

PROJECT PROJET

SPEC TYPE

NOTES

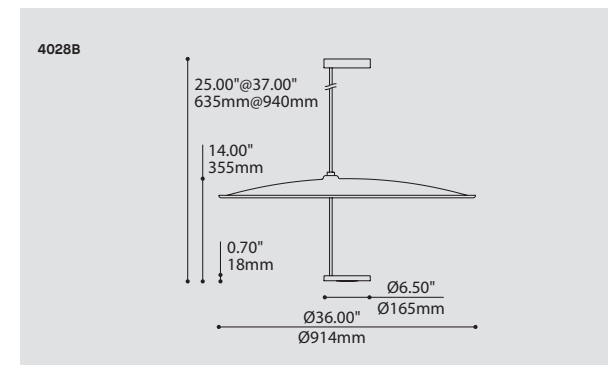


OPTIONS OPTIONS FAMILY FAMILLE



WHE

4028



ORDERING SPECIFICATION SPÉCIFICATION DE COMMANDE CODE

MODEL MODÈLE 4028B

4028B RADAR

LIGHT SOURCE SOURCE LUMINEUSE LED

(WATTAGE, LAMP TYPE, OTHER INFO)
LED REGULAR OUTPUT

COLOR TEMPERATURE TEMPÉRATURE DE COULEUR

30 3000K

35 3500K

40 4000K

VOLTAGE VOLTAGE

120V 120 VOLT

277V 277 VOLT

DIMMING OPTION OPTION DE GRADATION

DV 0-10V DIMMING (120-277V)

DP PHASE DIMMING (120V ONLY)

LED DIMMING DRIVER IS STANDARD IN THIS PRODUCT, PLEASE SPECIFY YOUR DIMMING TYPE.

STEM TIGE S10

S10 3/8" (10MM) STEM, NOT FIELD ADJUSTABLE

STEM LENGTH LONGUEUR DE TIGE

24 24" STEM

30 30" STEM

36 36" STEM

** CUSTOM STEM LENGTH (PLEASE SPECIFY)*

FOR OVERALL LENGTH PLEASE CONTACT YOUR EUREKA REPRESENTATIVE.

STRUCTURE FINISH FINI STRUCTURE

BLKE BLACK FINE TEXTURE

WHE WHITE FINE TEXTURE

REFLECTOR FINISH FINI RÉFLECTEUR WH

WH WHITE

PRODUCT CHARACTERISTICS CARACTÉRISTIQUES DU PRODUIT

BIM DIM IES LED

DESIGN: Radar is designed with an imposing softly curved and brightly illuminated cupola that acts as a reflector and channels light downwards. A trendy and practical solution for high ceilings or for defining a lower illuminated space.

INSTALLATION: Simplified installation featuring a hook on stem system, a keyhole locking mechanism and a magnetic canopy without any visible fasteners.

LIGHT SOURCE: A custom made LED engine with standard 0-10V or phase dimming.
STRUCTURE: Custom die cast aluminum heatsink with steel stem and canopy featuring a white or black architectural grade fine texture finish. Thermoformed acrylic reflector with white opaque frosted finish. c-CSA-us

CERTIFIED: c-CSA-us

CONCEPTION: Le Radar est conçu avec une imposante coupole légèrement courbée et hautement illuminée qui agit comme un réflecteur en guidant la lumière vers le bas. Une solution élégante et pratique pour un plafond haut ou pour cadrer un espace avec une illumination ciblée.

INSTALLATION: Installation simplifiée grâce au système de crochet sur tige, au verrouillage par « trou de serrure » et au pavillon magnétique sans aucune fixation visible.

SOURCE LUMINEUSE: Module DEL conçu sur mesure. Il est offert avec une gradation standard de type 0-10V ou phase.

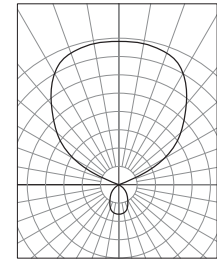
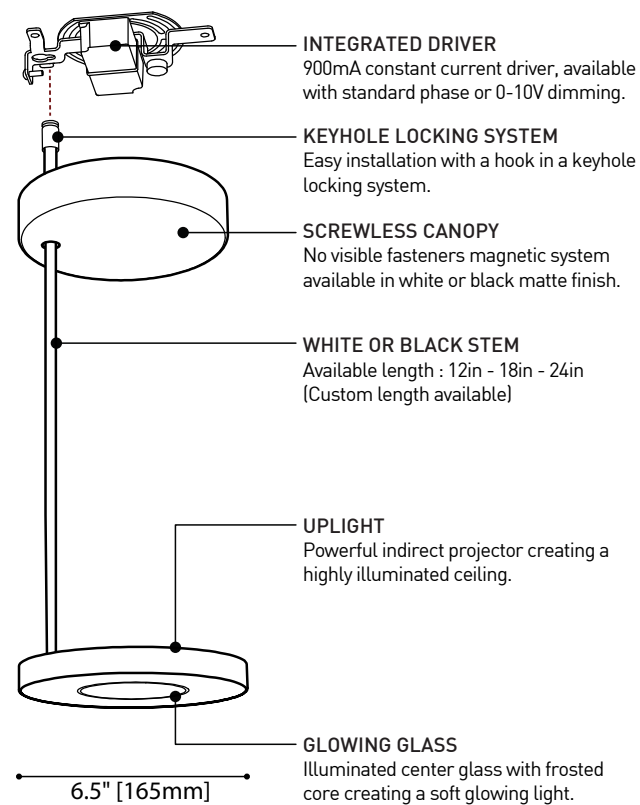
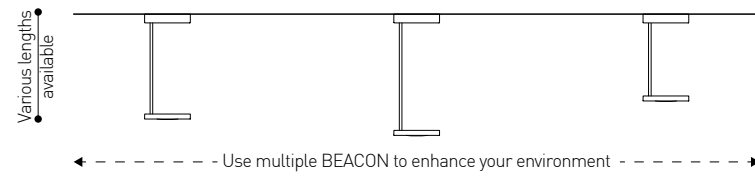
STRUCTURE: Radiateur fabriqué sur mesure fait d'aluminium moulé, assemblé sur une tige et un pavillon en acier. Peinture blanche ou noire finement texturée de grade architectural. Réflecteur en acrylique thermoformé avec fini blanc opaque givré. c-CSA-us

CERTIFIÉ: c-CSA-us

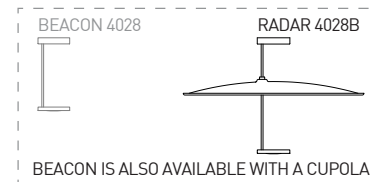
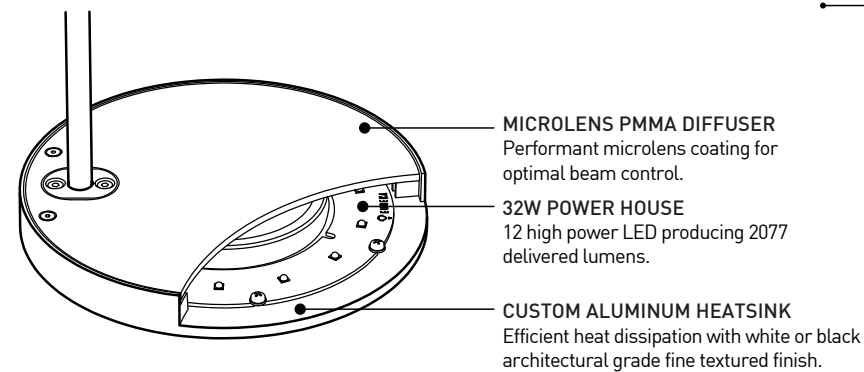
Anatomy

BIM DIM IES LED

BEACON



LIGHT DISTRIBUTION
This indirect luminaire is decorative and functional, it creates a powerful uplight that softly illuminates the ceiling.



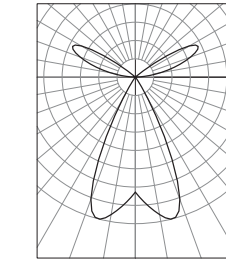
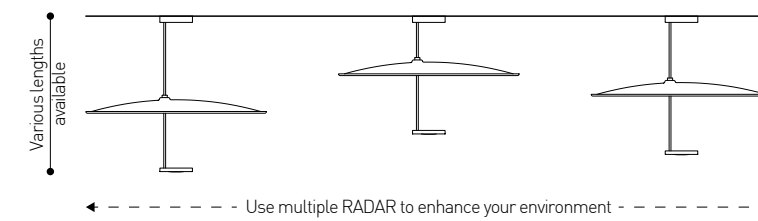
SPECIFICATIONS

SPECIFICATIONS	LED REG
LIGHT SOURCE	12 x High Power LED on custom designed MCPCB, UL Recognized
SYSTEM WATTAGE	37 W Total
DELIVERED LUMENS	2077 lm (4000k)
CRI	83 CRI (typical)
CCT	3000K, 3500K or 4000K 3-step MacAdam Ellipse binning
HEATSINK	White or black diecast aluminum
STEM	Ø10mm stem, available in three different lengths
VOLTAGE	120V (DP) or 120-277V (DV)
LED DRIVER	Constant Current 900mA, UL Recognized
DIMMING	Phase dimming (DP) or 0-10V dimming (DV)
LM-79	On request
WARRANTY	5 years

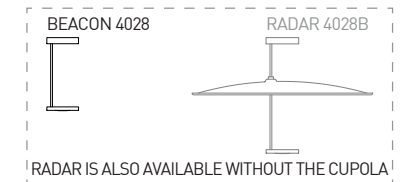
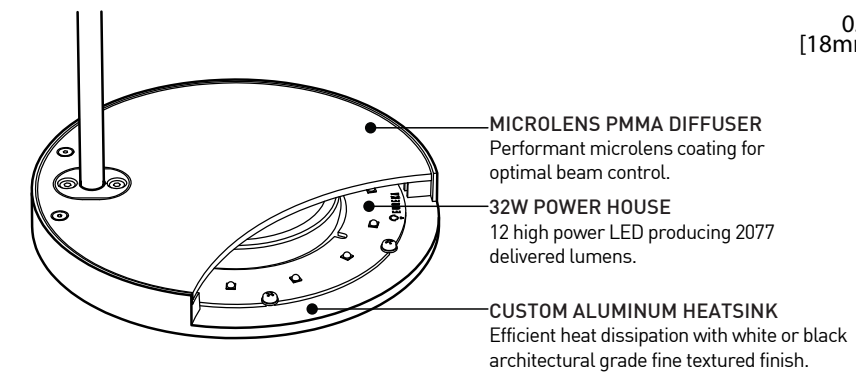
Anatomy

BIM DIM IES LED

RADAR



LIGHT DISTRIBUTION
The highly illuminated reflector makes the luminaire decorative yet functional as most of the light is reflected downward.



SPECIFICATIONS

SPECIFICATIONS	LED REG
LIGHT SOURCE	12 x High Power LED on custom designed MCPCB, UL Recognized
SYSTEM WATTAGE	37 W Total
DELIVERED LUMENS	2077 lm (4000k)
CRI	83 CRI (typical)
CCT	3000K, 3500K or 4000K 3-step MacAdam Ellipse binning
HEATSINK	White or black diecast aluminum
STEM	Ø10mm stem, available in three different lengths
VOLTAGE	120V (DP) or 120-277V (DV)
LED DRIVER	Constant Current 900mA, UL Recognized
DIMMING	Phase dimming (DP) or 0-10V dimming (DV)
LM-79	On request
WARRANTY	5 years

Photometric Report

4028-LED.32

CCT (K): 4000
 Delivered Lumens (lm): 2136
 System wattage (W)*: 37
 Distribution: Semi indirect
 Delivered Efficacy (lm/W): 57.7
 Photometric type: C

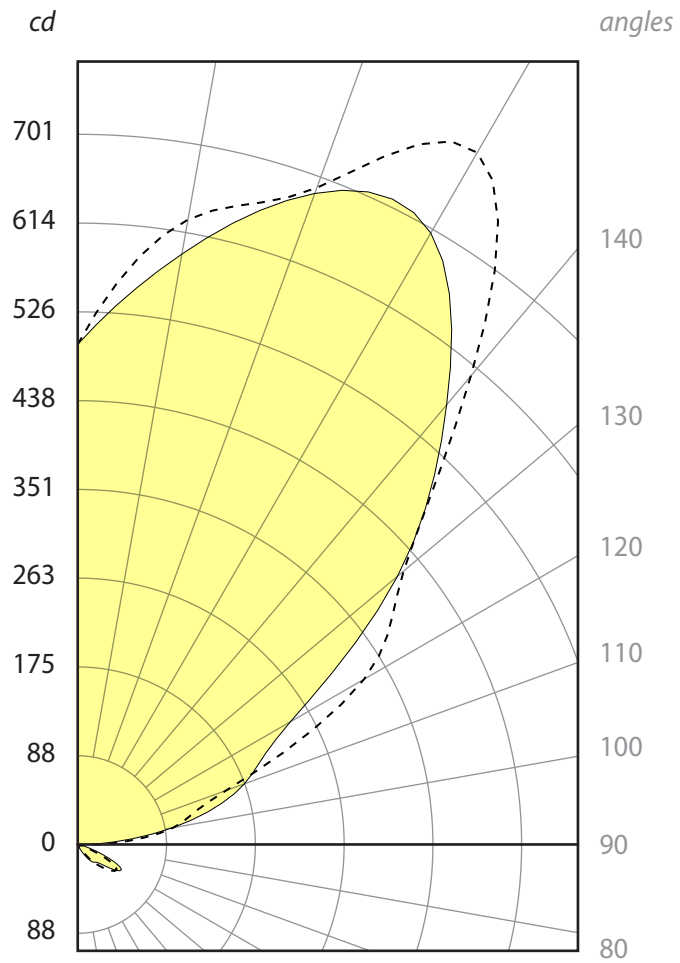
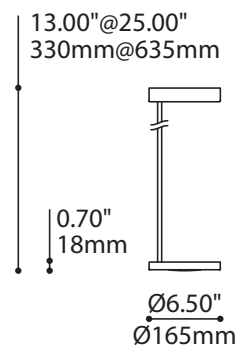
Luminous dimensions

Luminous shape: Rectangle
 Units: in (mm)
 0-180 Axis: 7.874 (200)
 90-270 Axis: 7.874 (200)
 Height: 0.000 (000)

Luminaire spacing criteria

2 luminaires, plane 0: 5.89
 2 luminaires, plane 90: 5.81
 4 luminaires: 4.77

*System wattage include driver and LED module consumption



—— 0 - 180
 - - - 90 - 270

Photometric Report

4028B-LED.32

CCT (K): 4000
 Delivered Lumens (lm): 2136
 System wattage (W)*: 37
 Distribution: Direct
 Delivered Efficacy (lm/W): 57.7
 Photometric type: C

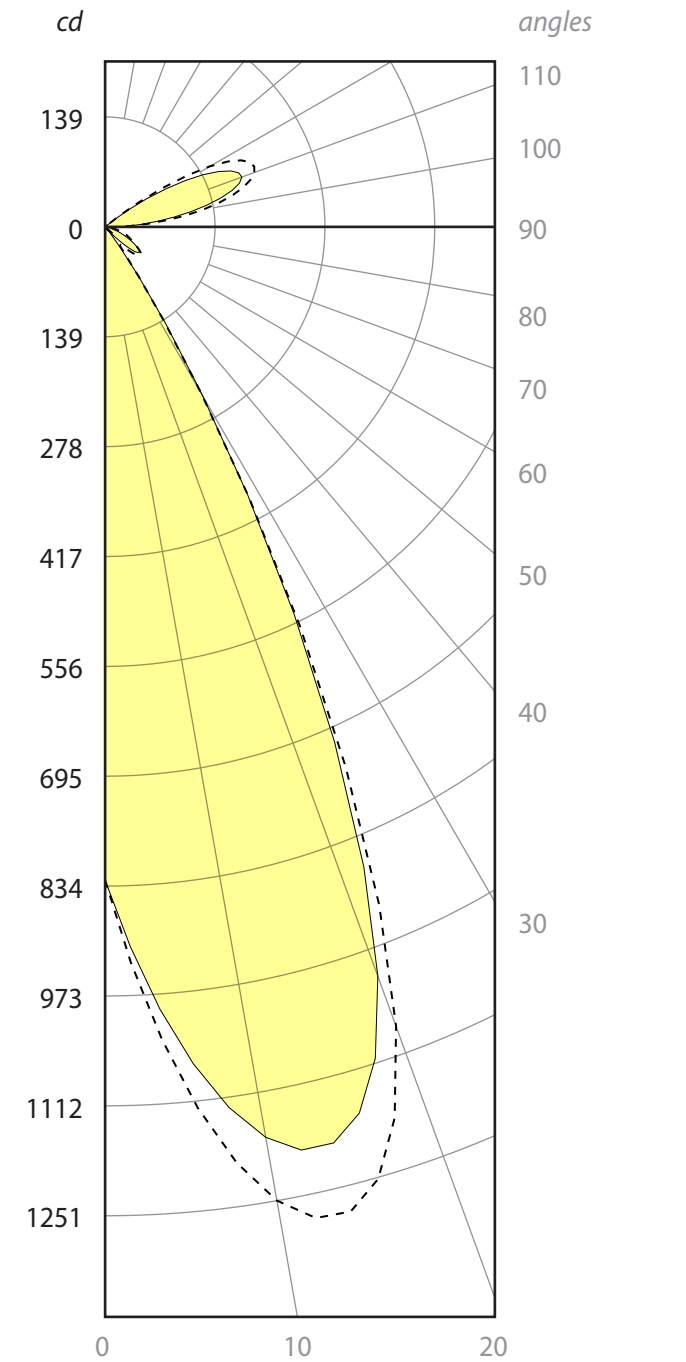
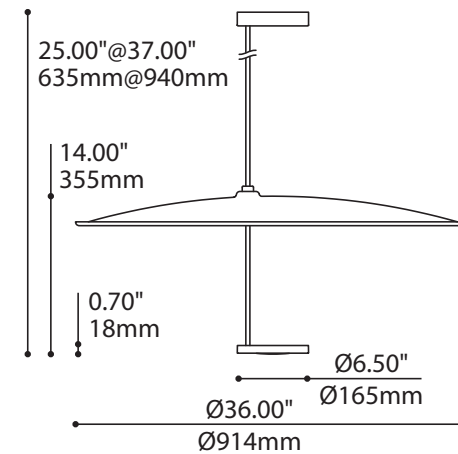
Luminous dimensions

Luminous shape: Rectangle
 Units: in (mm)
 0-180 Axis: 35.433 (900)
 90-270 Axis: 35.433 (900)
 Height: 15.748 (400)

Luminaire spacing criteria

2 luminaires, plane 0: 0.94
 2 luminaires, plane 90: 0.94
 4 luminaires: 0.78

*System wattage include driver and LED module consumption



—— 0 - 180
 - - - 90 - 270

